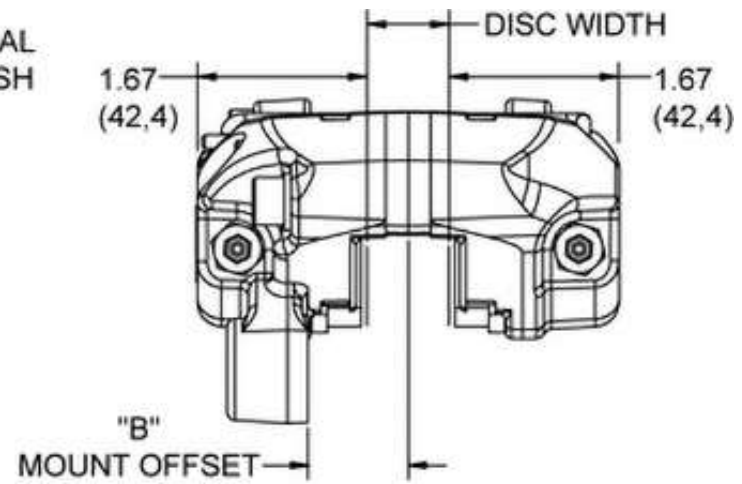


TOP OF FRICTION MATERIAL AND DISC O.D. TO BE FLUSH



DIMENSION "D1" =
(DISC DIAMETER/2) - 2.10 (53,3)

INLET FITTING: 1/8-27 NPT

DISC WIDTH	"B" MOUNT OFFSET
.81 (20,6)	.97 (24,9)

DISC DIAMETER	"A" BOLT CIRCLE RADIUS	"E" OUTSIDE RADIUS
10.00 (254,0)	3.96 (100,6)	6.02 (152,9)
10.50 (266,7)	4.15 (105,4)	6.23 (158,2)
10.75 (273,1)	4.25 (108,0)	6.34 (163,3)
11.00 (279,4)	4.35 (110,5)	6.44 (161,0)
11.44 (290,6)	4.53 (115,1)	6.63 (168,4)
11.75 (298,5)	4.66 (118,4)	6.76 (171,7)
12.19 (309,6)	4.84 (122,9)	6.97 (177,0)